

Slat band conveyor P

KNOLL
.It works

Issue 05-2020



Properties

Plates without hinges

Profiled plates

Perforated plates

Belt sealing with labyrinth

Screwed plates and baffle elements

Customer-specific design

Benefits

Great durability

Great stability

Good chip pre-separation

Good chip pre-separation

Easy to service

Best possible addressing of requirements

Application

KNOLL slat band conveyors P are plants for transporting metal chips and small parts.

- Decentral use on individual and interlinked machine tools
- Central use for waste disposal from machine groups and entire production areas
- Suitable for long chips, chip balls, wool chips (also in combination with short chips)
- Suitable for wet and dry processing

Description

Main functions

1. Collecting of the chips
2. Transporting of the chips to the discharge point on the upper belt span

Additionally for wet processing

3. Collecting of the cooling lubricant
4. Separating of chips and cooling lubricant
5. Buffering of the cooling lubricant
6. Transporting of the cooling lubricant for processing, return pumping station or machine

Continuous slat band

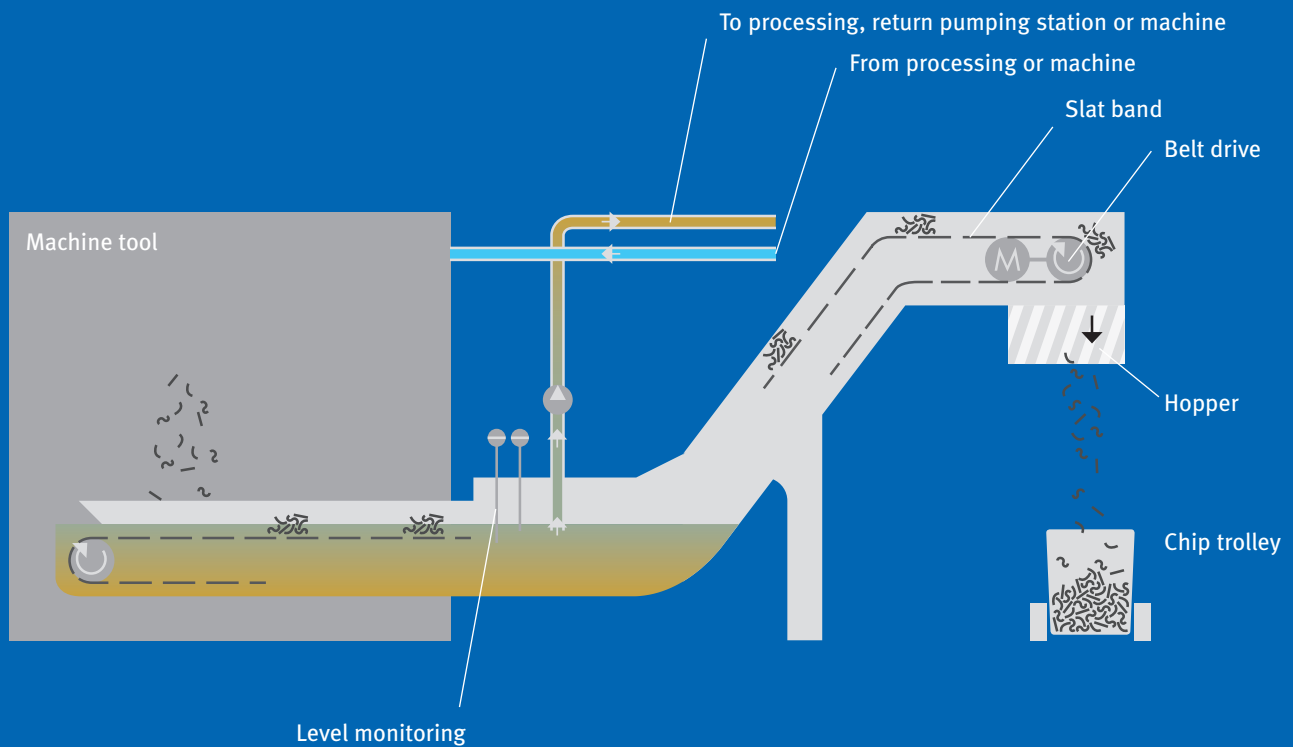
- 2 roller chain strands that are screwed together with steel plates via consoles
- Positively-driven chain circulation
- Tensioning through easy adjustment of the bearing retainers

Combination possibilities

For other requirements, on request we can combine the conveyor with

- Filter systems for cleaning of the cooling lubricant and supplying the machine tool
- Chip reducers for generating pumpable or absorbent chips
- Return pumping stations for transporting of chips and cooling lubricant to the central plant
- Extraction stations for transport of chips to the central plant

Scheme



Equipment

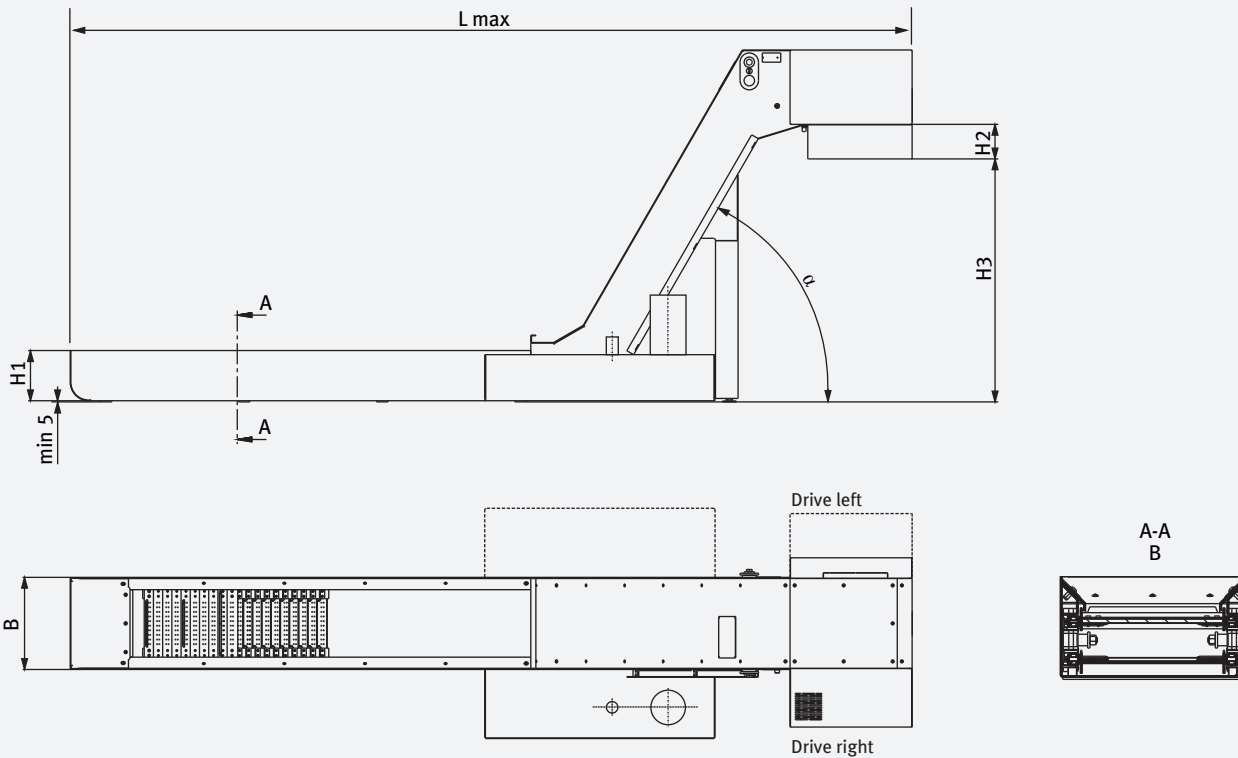
Slat band	●
Belt drive	●
Belt-drive control with limit switch	○
Belt scraper	○
Lubricator (for dry processing)	○
Support	○
Wingtank	○
Lifting pump(s)	○
Piping and fittings	○
Hopper	○
Chip trolley	○
Control	○

- Standard equipment
- Option



KNOLL Maschinenbau GmbH
 Schwarzachstraße 20
 DE-88348 Bad Saulgau
 Tel. +49 7581 2008-0
 Fax +49 7581 2008-90140
 info.itworks@knoll-mb.de
 www.knoll-mb.com

Dimensions and technical data



Type	Chain pitch	B ⁴	H1	H2	H3	α (°)	L max ³
P-40	40	220-260-300-340-400-450- 500-600-680-750-850-1040	216 ⁵ 167 ⁶	150 ¹	–	0-30-45-60	9 m
				550 ²	≤ 1150		
				850 ²	≥ 1150		

Dimensions without units given in mm.
 Dimensions H1, H2 and H3 as requested.
¹ Discharge DIN EN ISO 16090-1
² Discharge DIN EN 618
³ Approximation value
⁴ Other dimensions on request
⁵ Standard
⁶ Pulled in
 Driving power 0.25 kW