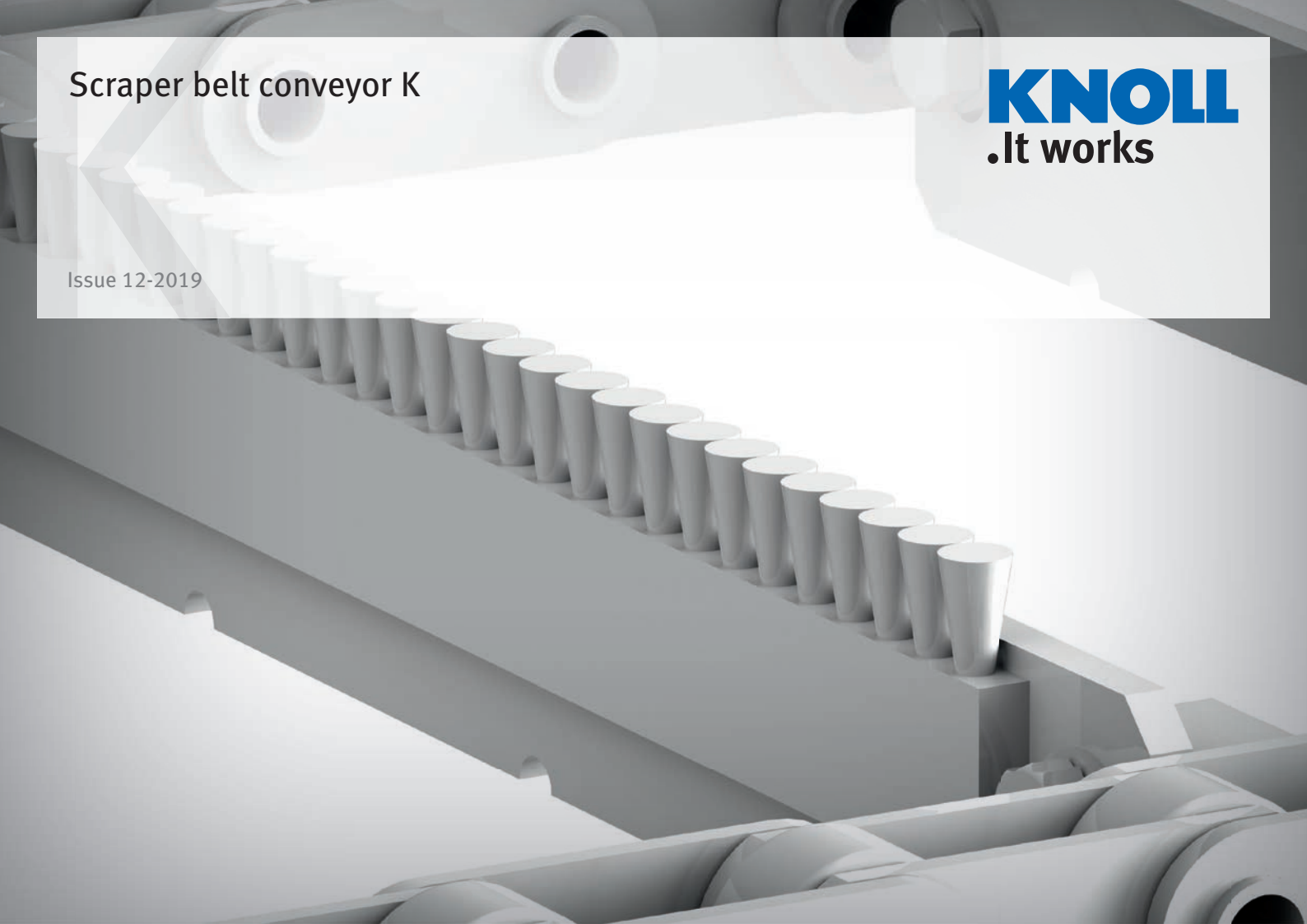


Scraper belt conveyor K

KNOLL
.It works

Issue 12-2019



Properties

Safety slide coupling

Extraction of the cooling lubricant from the trough

Edge filter in the trough in front of the suction line

Simple layout

Customer-specific design

Benefits

Effective overload protection

High delivery rate possible

Good chip pre-separation

Easy to service

Best-possible addressing of requirements

Application

KNOLL scraper belt conveyors K are plants for transporting metal chips and small parts.

- Decentral use on individual and interlinked machine tools
- Central use for waste disposal from machine groups and entire production areas
- Suitable for short chips (e.g. steel, brass, aluminum, copper, cast)
- Suitable for wet and dry processing

Description

Main functions

1. Collection of the chips/parts
2. Transporting of the chips/parts to the discharge point on the container bottom

Additionally for wet processing

3. Collecting of the cooling lubricant
4. Separating of chips and cooling lubricant
5. Buffering of cooling lubricant
6. Transporting of the cooling lubricant for processing, return pumping station or machine

Continuous scraper belt

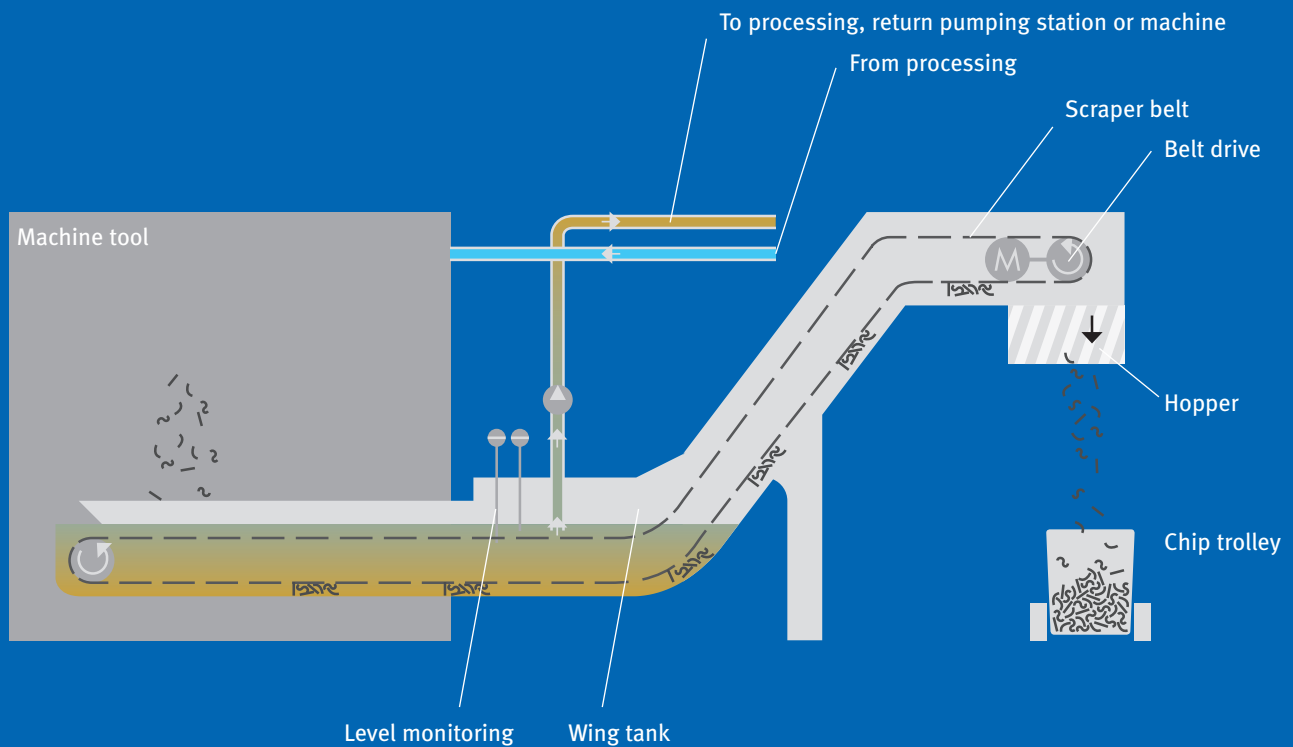
- 2 roller chain strands that are connected to scraper bars
- Positively-driven chain circulation
- Tensioning through easy adjustment of the bearing retainers

Combination possibilities

For other requirements, on request we can combine the conveyor with

- Filter systems for cleaning the cooling lubricant and supplying the machine tool
- Chip reducers for generating pumpable or absorbent chips
- Return pumping stations for transporting chips and cooling lubricant to the central plant
- Extraction stations for transport of chips to the central plant

Scheme



Equipment

Scraper belt	●
Belt drive (three-phase current geared motor)	●
Safety slide coupling	●
Belt-drive control with limit switch	○
Belt scraper	○
Lubricator (for dry processing)	○
Support	○
Wing tank	○
Fill level monitoring	○
Lifting pump(s)	○
Piping and fittings	○
Hopper	○
Chip trolley	○
Control	○
Needle slot screen/slot filter in various mesh sizes	○
False floor	○
Chip grating	○
Wear model	○

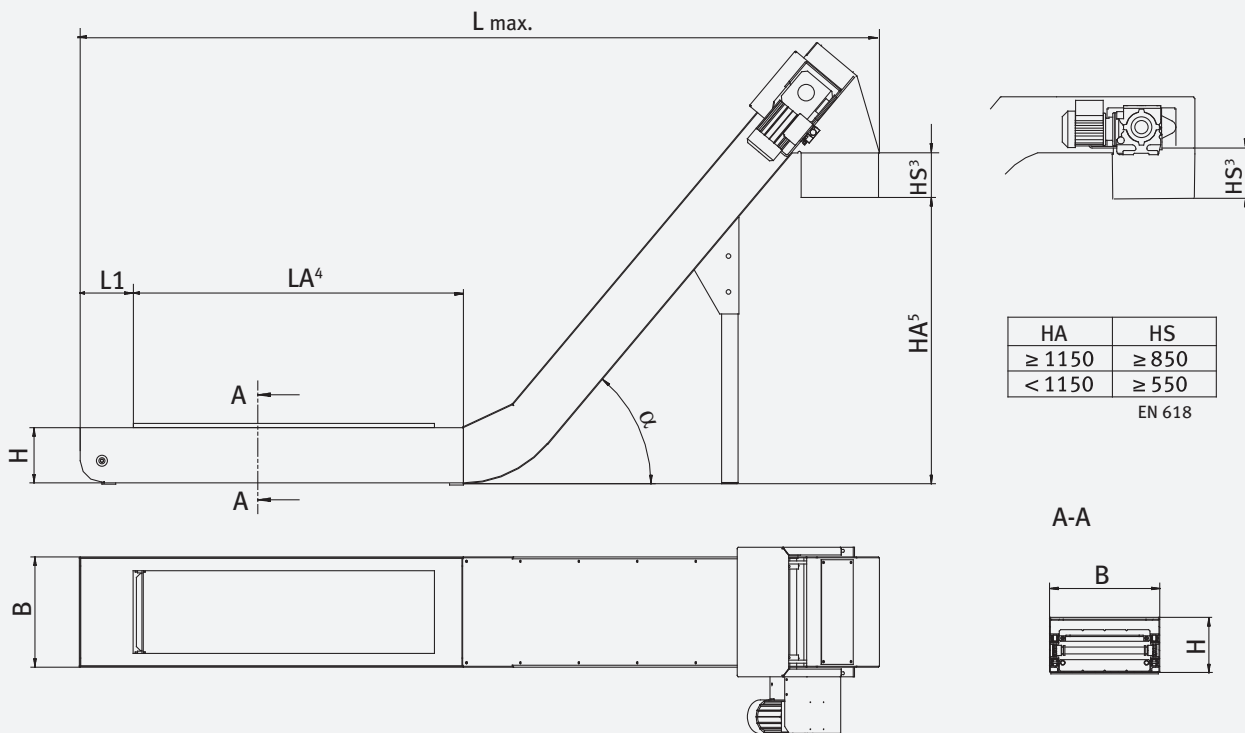
- Standard equipment
- Option

KNOLL Maschinenbau GmbH

Schwarzachstraße 20
DE-88348 Bad Saulgau
Tel. +49 7581 2008-0
Fax +49 7581 2008-90140
info.itworks@knoll-mb.de
www.knoll-mb.com



Dimensions and technical data



Type	Chain pitch	B ¹	H	L1	L max. ² (m)	α (°)
K-1	40	180-220-260-300-340-400-450-500-600-750-850	>140	-	9	0-30-45-60-75
K-3	63	300-370-400-450-500-600-750-1000	235	190	15	0-30-45-60-75
K-3-S	63	370-450-500-600	350	265	25	0-30-45-60-75
K-4	100	450-600-750-1000	410	335	60	0-30-45-60-75

Dimensions without units given in mm.

¹ Intermediate widths and wider types on request

² Standard value

³ HS = Height of protected area according to safety regulation EN 618

⁴ LA = Feed length

⁵ HA = Discharge height above ground